

Portable Flow Meter Series 2440

The Series 2440 provides air flow measurements in mass, volume, and velocity. The Series is designed for measuring ducts, pipes, stacks, vents, insitu calibrations, and airflow traverses. Models range from lab grade to industrial high heat. The Series 2440 includes:

- The highest repeatability, accuracy, and reliability available
- The fastest response to temperature and velocity changes in the industry
- Constant temperature thermal technology
- Excellent sensitivity to low velocities
- Insensitive to dirt and particulates in the flow stream
- Insensitive to installation angle
- 1,500 point data memory for recording traverses and other measurements
- Internal and exportable data logging
- Completely field configurable using the flow meter user interface
- User-configurable low velocity cut-off, reference conditions, time constraints, and flow area
- Built-in flow totalizers and elapsed time
- Velocity-temperature mapping for wide ranging velocity and temperature
- Sensors do not overheat at zero flow using a unique constant temperature control method and power limiting design
- Sensor lead-length independent circuitry

Kurz Instruments is dedicated to manufacturing and marketing the best thermal mass flow meters available and to support our customers in their efforts to improve their businesses.

Applications

- Industrial hygiene
- Survey tests
- HVAC supply and return ducts, grills, diffusers, and testing
- Flow balancing
- Clean rooms
- Fume hoods
- Combustion air velocity and flow calibration
- Duct, stack, and pipe velocity traverses
- Coal-fired power plant stacks
- Research and development
- General purpose air flow measurements



Kurz Instruments, Inc.
2411 Garden Road
Monterey, CA 93940
800-424-7356
www.KurzInstruments.com



SERIES FEATURES & SPECIFICATIONS

- **Easy-to-use interface**
Backlit display / keypad
2-lines of 16-characters each
- **Configuration upload/download**
- **User-configurable English or metric units for mass flow rate, mass velocity, and process temperature**
°C, °F, KGH, KGM, NCMH, NLPMM, NMPS, PPH, PPM, SCFH, SCFM, SCM, SFPM, SLPM, SMPS
- **Excellent resolution and noise rejection**
16-bit ADC, 50 Hz or 60 Hz
- **Time constant (configurable)**
0 to 600 seconds
- **User-selectable flow display (scrolling or static)**
- **All-metal aluminum display module**
- **Battery charger, 100-240 VAC, 50/60 Hz**
Nickel-Metal-Hydride 4.5 AH high-performance battery, 2.5 hour /full charge
- **Rugged carrying case**
- **European Union CE compliance**
EN 50081-1 for emissions, EN 50082-2 for immunity, EN 61000-4-5 for surges

OPTIONS

- **Digital outputs**
Modbus, RS-232C, or RS-485 serial port support; allows external/remote terminal configuration and data log access via a Windows computer
- **Analog 4-20 mA outputs**
Configurable as velocity, flow rate, or temperature; 12-bit resolution, maximum loop resistance is 500 at 18 VDC, 800 at 24 VDC, 1400 at 36 VDC; NAMUR NE43 compliant
- **Hardware accessories**
Available hardware includes sensor support extensions, extension cables, batteries, battery chargers, and adapters



2441 FEATURES & SPECIFICATIONS

Laboratory-grade applications.

The Model 2441 Lab Grade Portable Flow Meter is excellent and well-suited for industrial hygiene and HVAC measurements.

- **13" sensor support length**
- **1/4" diameter sensor support**
- **Sensors temperature rated**
-40°F to 257°F (-40°C to 125°C)
- **Electronics operating temperature range**
-25°C to 65°C, noncondensing
- **Velocity time constant**
50 milliseconds for velocity changes at 6000 SFPM at a constant temperature and 300 milliseconds for temperature changes at a constant velocity of 6000 SFPM
- **Process temperature time constant**
8 seconds at a velocity of 6000 SFPM
- **Pressure rating up to 150 PSIG**
- **Velocity range 0 to 12,000 SFPM**
- **Temperature accuracy**
± (0.5% of reading + 1°C for velocities above 100 SFPM)
- **0.25% repeatability**



2442 FEATURES & SPECIFICATIONS

HVAC applications.

The Model 2442 HVAC Portable Flow Meter is designed specifically for HVAC applications. The bendable gooseneck design and telescopic wand allows maximum flexibility in obtaining accurate traverse measurement in typically difficult location, such as ceilings, supply grates, and open areas.

- **Unique flexible "gooseneck" between the sensor element and sensor support**
- **Extendable four-segment telescopic wand**
- **47" sensor support length when fully extended**
- **1/4" diameter sensor support**
- **Sensors temperature rated**
-40°F to 257°F (-40°C to 125°C)
- **Electronics operating temperature range**
-25°C to 65°C, noncondensing
- **Velocity time constant**
50 milliseconds for velocity changes at 6000 SFPM at a constant temperature and 300 milliseconds for temperature changes at a constant velocity of 6000 SFPM
- **Process temperature time constant**
8 seconds at a velocity of 6000 SFPM
- **Pressure rating up to 150 PSIG**
- **Velocity range 0 to 12,000 SFPM**
- **Temperature accuracy**
± (0.5% of reading + 1°C for velocities above 100 SFPM)
- **0.25% repeatability**





2443 FEATURES & SPECIFICATIONS

Small-to-medium pipe and duct applications.

The Model 2443 Flow Meter is a small, rugged sensor designed for velocity and temperature traverses in small- to medium-sized pipes/ducts, such as in industrial ventilation systems.

- **13" sensor support length**
Probe shield can be reversed to extend support length up to 22"
- **3/8" diameter sensor support**
- **Sensors temperature rated**
-40°F to 392°F (-40°C to 200°C)
- **Electronics operating temperature range**
-25°C to 65°C, noncondensing
- **Velocity time constant**
1 second for velocity changes at 6000 SFPM at a constant temperature and 1 second for temperature changes at a constant velocity of 6000 SFPM
- **Process temperature time constant**
8 seconds at a velocity of 6000 SFPM
- **Pressure rating up to 300 PSIG**
- **Velocity range 0 to 12,000 SFPM**
- **Temperature accuracy**
± (0.5% of reading + 1°C for velocities above 100 SFPM)
- **0.25% repeatability**



2444 FEATURES & SPECIFICATIONS

Large pipe and duct applications.

The Model 2444 Heavy Industrial Portable Flow Meter provides the flexibility for a wide variety of field measurement applications because of multiple 16" sections that can connect up to 64.5" long.

- **Up to four extension support lengths**
16.5", 32.5", 48.5", 64.5"
- **3/4" diameter sensor support**
- **Sensors temperature rated**
-40°F to 392°F (-40°C to 200°C)
- **Electronics operating temperature range**
-25°C to 65°C, noncondensing
- **Velocity time constant**
1 second for velocity changes at 6000 SFPM at a constant temperature and 1 second for temperature changes at a constant velocity of 6000 SFPM
- **Process temperature time constant**
8 seconds at a velocity of 6000 SFPM
- **Pressure rating up to 300 PSIG**
- **Velocity range 0 to 12,000 SFPM**
- **Temperature accuracy**
± (0.5% of reading + 1°C for velocities above 100 SFPM)
- **0.25% repeatability**



2445 FEATURES & SPECIFICATIONS

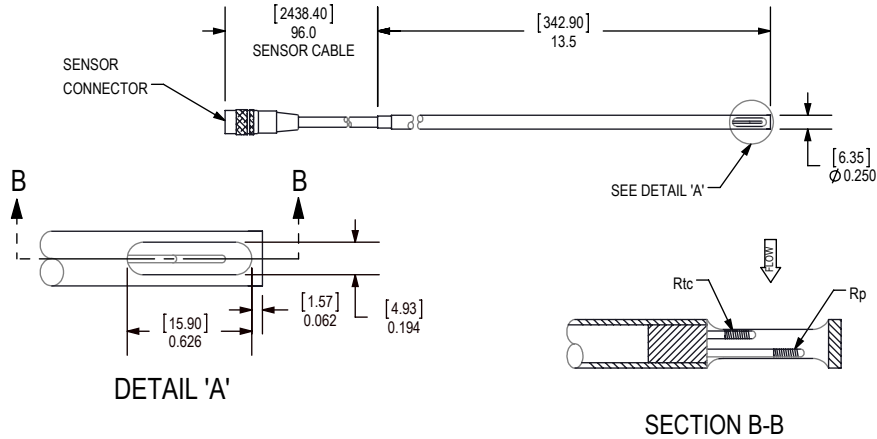
High temperature applications.

The Model 2445 High-Temperature Portable Flow Meter is designed for very high temperatures (500°C) applications, such as coal-fired power plant stacks, and primary and secondary air ducts.

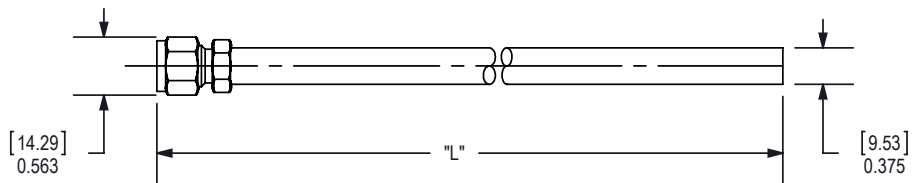
- **Five fixed support lengths**
24", 36", 48", 60", 72"
- **3/4" diameter sensor support**
- **Mineral-insulated sensor cable**
- **Sensors temperature rated**
-40°F to 932°F (-40°C to 500°C)
- **Handle (6") temperature rated up to 200°C**
- **Electronics operating temperature range**
-25°C to 65°C, noncondensing
- **Velocity time constant**
1 second for velocity changes at 6000 SFPM at a constant temperature and 1 second for temperature changes at a constant velocity of 6000 SFPM
- **Process temperature time constant**
8 seconds at a velocity of 6000 SFPM
- **Pressure rating up to 300 PSIG**
- **Velocity range 0 to 12,000 SFPM**
- **Temperature accuracy**
± (0.5% of reading + 1°C for velocities above 100 SFPM)
- **0.25% repeatability**



MODEL 2441 SENSOR

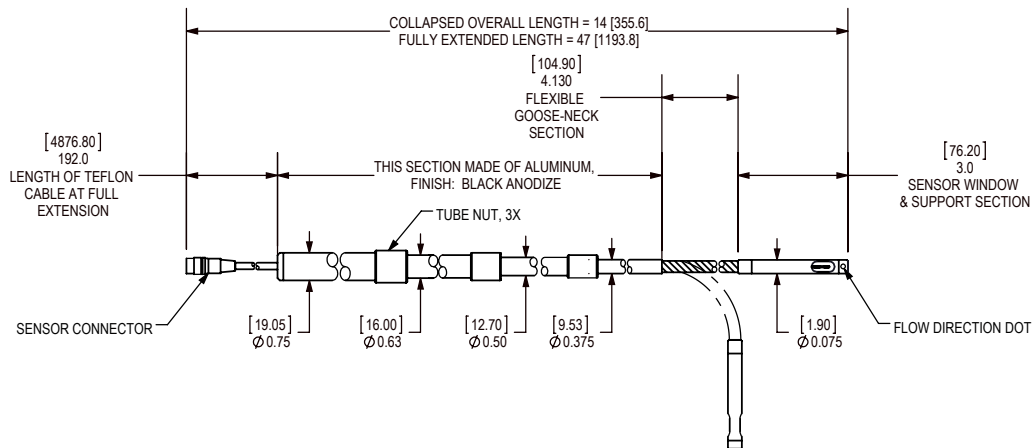


2441 PORTABLE EXTENSION



Dimensions are in inches [millimeters]

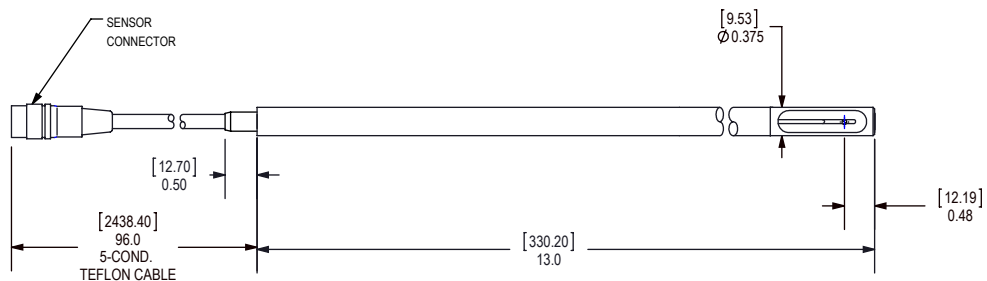
MODEL 2442 WAND & SENSOR



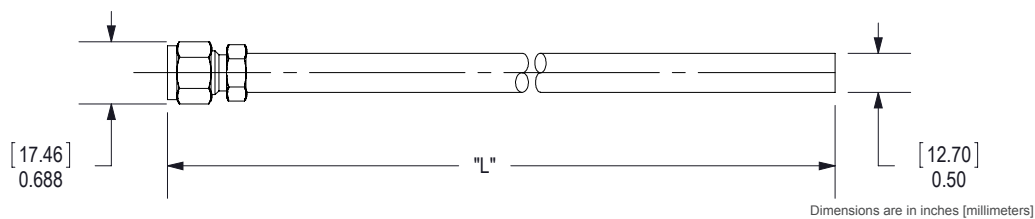
Dimensions are in inches [millimeters]



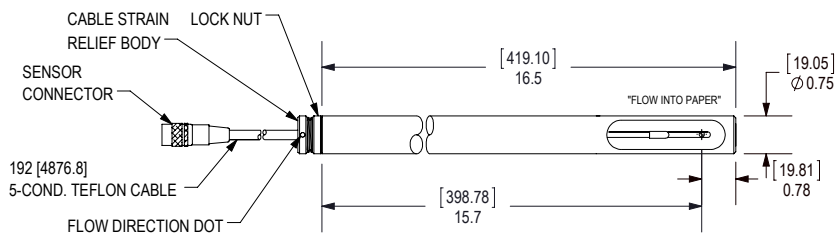
MODEL 2443 SENSOR



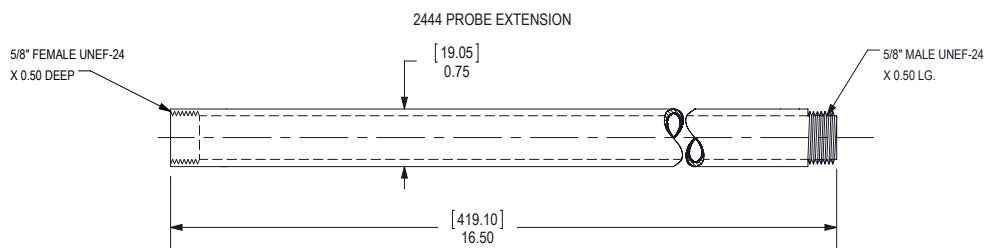
2443 PORTABLE EXTENSION



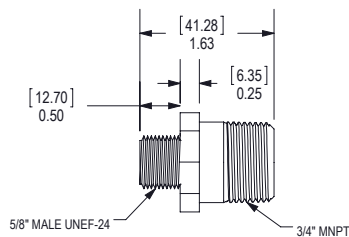
MODEL 2444 SENSOR



SENSOR SECTION



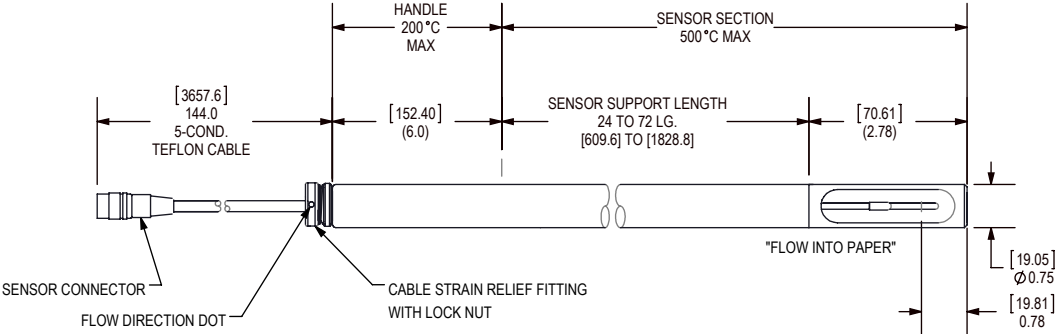
2444/2445 3/4" MNPT SENSOR SUPPORT PIPE EXTENSION (OPTIONAL)



Dimensions are in inches (millimeters)

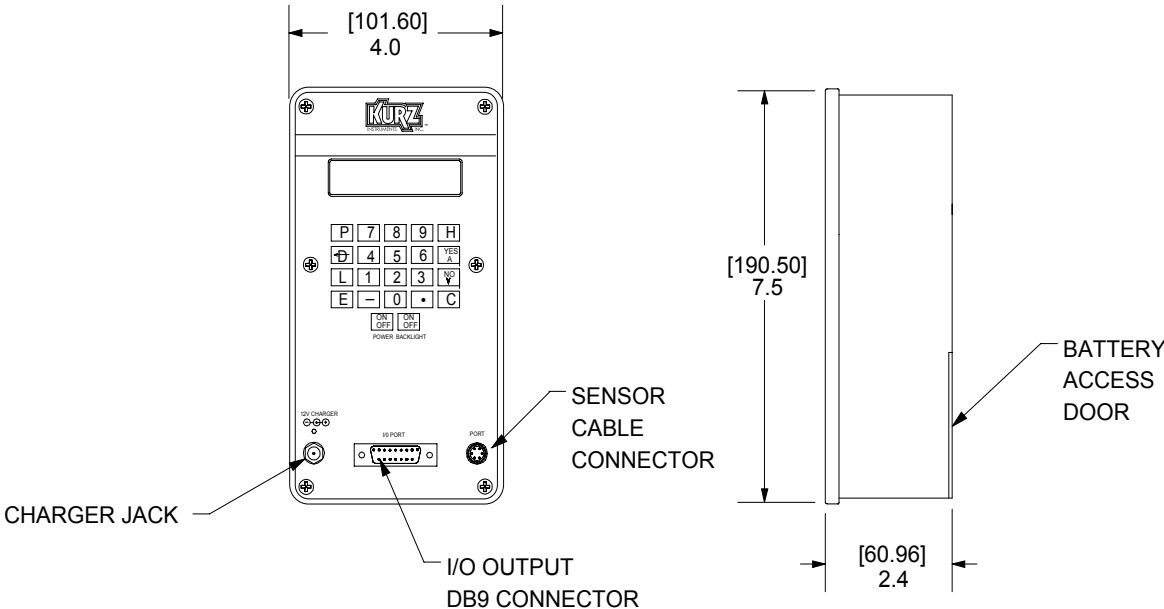


MODEL 2445 PROBE



Dimensions are in inches [millimeters]

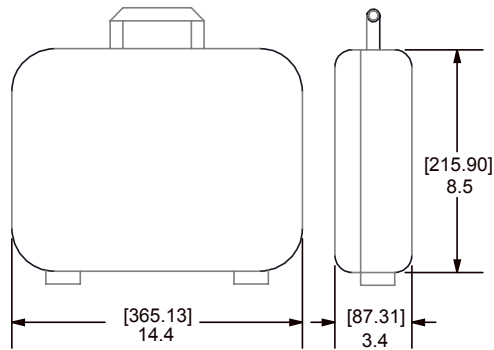
PORTABLE DISPLAY MODULE



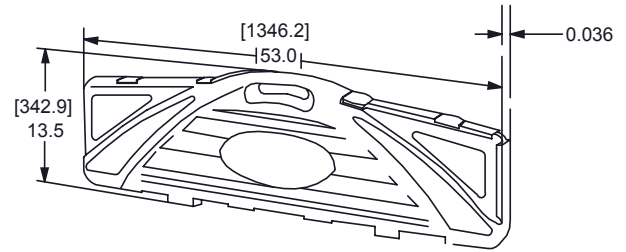
Dimensions are in inches [millimeters]



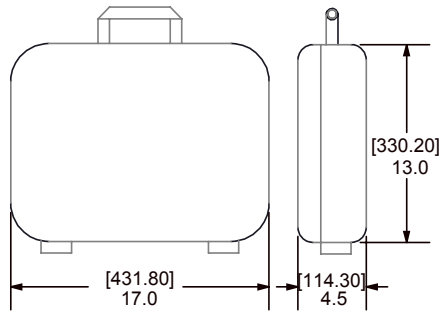
DISPLAY MODULE CARRYING CASE TYPE 1



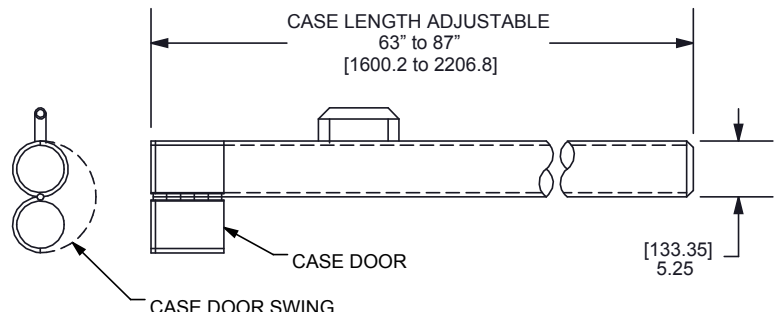
CARRYING CASE FOR MODELS WITH PROBE SUPPORT LENGTHS 24", 30", AND 36"



DISPLAY MODULE CARRYING CASE TYPE 2



CARRYING CASE FOR MODELS WITH PROBE SUPPORT LENGTHS 48" TO 60"



Dimensions are in inches [millimeters]



PROCESS TEMPERATURE & COMPENSATION

Kurz thermal flow meters determine the flow rate of gases by recognizing the mass density of molecules in the flow stream. The density of any gas is influenced by temperature changes. Specifying the temperature range experienced by a gas flow ensures repeatability and accuracy.

- **Standard Temperature Compensation (STC)** is used for small process temperature ranges, in this case from -15°C to 75°C, over a moderate velocity range.
- **Velocity Temperature Mapping (VTM)** is used when the process temperature and gas velocity vary widely. Multiple velocity calibrations are stored in the meter. VTM compensation is based on Air; specific gas correlations are required to ensure accuracy at high temperatures.

GAS VELOCITY CALIBRATION RANGE

The velocity data is taken in English units and Standard Temperature and Pressure (STP) reference conditions of 77°F and 14.69 PSIA. If metric velocity units or a different STP is required, the user can easily change the STP reference, and select English or metric units using the display/ keypad. A sufficient number of calibration data points are taken to ensure accuracy over the entire range.

TIME RESPONSE

Time response is the time required to attain 63% (1 time constant) of the original reading after a step change in process temperature in constant velocity, or a step change in velocity at constant process temperature at an initial mass velocity of 6000 SFPM.

SERIES 2440 ACCESSORIES

Series 2440 Accessories	
Part Number	Description
150001-01	Model 2441 sensor shield/extender
260102	RS-232 cable for upload/download, data transfer to PC, firmware updates
260106	Series 2440 I/O adapter cable
260108	Series 2440 AC power cord for charger
260110	Series 2440 vehicle charger adapter, 12 VDC
260111-01	Series 2440 sensor extension cable, Teflon, 8-foot length
260111-02	Series 2440 sensor extension cable, Teflon, 16-foot length
260111-03	Series 2440 sensor extension cable, Teflon, 24-foot length
320029	Series 2440 battery, 4.5 Ah, six cell, NiMH
330046	Series 2440 AC charger, 100-240 VAC, 50/60 Hz
420334	Series 2440 I/O adapter module
451029	PC data logging program, CD-ROM, manual



2411 Garden Road • Monterey, CA 93940 | 800-424-7356 • 831-646-5911 | www.KurzInstruments.com

7540	—	—	—	—	01	—	—
Parent number	F1	F2	F3	F4	F5	F6	F7

Parent Number	Model	
754010	2441	Laboratory-grade
754020	2442	HVAC
754030	2443	Small-to-medium pipes and ducts
754040	2444	Large pipes and ducts
754050	2445	High temperature

F1 Sensor Type & Material

Choose one option from each category.

Option	Model	Sensor Type (first digit)
1	2441, 2442	CD-AT
2	2443	MC-MT
3	2444	FD-MT
4	2445	FD-HHT

Option	Model	Sensor Material (second digit)
1	2441, 2442	Glass-coated platinum wire over ceramic with epoxy sealant
2	2443, 2444, 2445	C-276 alloy
7	2444, 2445	C-276 alloy with chromium nitride coating

F2 Sensor Support Length & Material

Option	Model	Sensor Support Length & Material
2A	2441	13", 316L stainless steel
3K	2442	316L stainless steel support chrome-plated flexible gooseneck anodized aluminum four-section telescopic wand
2A	2443	13", 316L stainless steel
2C	2444	16.5" (base length)
2G	2444	32.5" (base length + one extension)
2P	2444	48.5" (base length + two extensions)
2T	2444	64.5" (base length + three extensions)
2E	2445	24", 316L stainless steel
2J	2445	36", 316L stainless steel
2M	2445	48", 316L stainless steel
2S	2445	60", 316L stainless steel
2W	2445	72", 316L stainless steel

F3	Option	Model	Sensor Cable Length & Material
	1B	2441, 2443	8 feet, Teflon-insulated cable
	1F	2442, 2445	12 feet, Teflon-insulated cable
	1H	2444	16 feet, Teflon-insulated cable

F4	Option	Model	Gas Velocity Calibration Data Range
	16	2441, 2442, 2443, 2444	12,000 SFPM
	18	2443	15,000 SFPM
	20	2445	9,000 SFPM

F5	Option	Specialty Gas Velocity Calibration
	01	Air

F6	Option	Model	Process Temperature Compensation
	22	2441, 2442	Velocity Temperature Mapping (VTM) with two calibration data sets over the process temperature range of -40°C to 125°C. Accuracy: ± [3% of reading + (10 SFPM + 0.25 SFPM/°C)], above or below 25°C.
	24	2443, 2444	Velocity Temperature Mapping (VTM) with three calibration data sets over the process temperature range of -40°C to 200°C. Accuracy: ± [3% of reading + (20 SFPM + 0.25 SFPM/°C)], above or below 25°C.
	26	2445	Velocity Temperature Mapping (VTM) with four calibration data sets over the process temperature range of -40°C to 500°C. Accuracy: ± [3% of reading + (30 SFPM + 0.25 SFPM/°C)], above or below 25°C.

F7 I/O Adapter & Digital Outputs

Choose one option from each category.

Option	I/O Adapter (first digit)
0	No I/O adapter
1	I/O adapter includes a 2-foot cable with a multipin adapter, a 6-foot RS-232 cable with DB9F connectors to support connection between the I/O adapter and a Windows computer, and a connector used for firmware upgrades. I/O adapter supports RS-495 or RS-232 and two 4-20 mA isolated, loop-powered outputs.

Option	Digital Outputs (second digit)
0	No digital outputs
2	Two 4-20 mA loop-powered outputs, AC/DC optically isolated