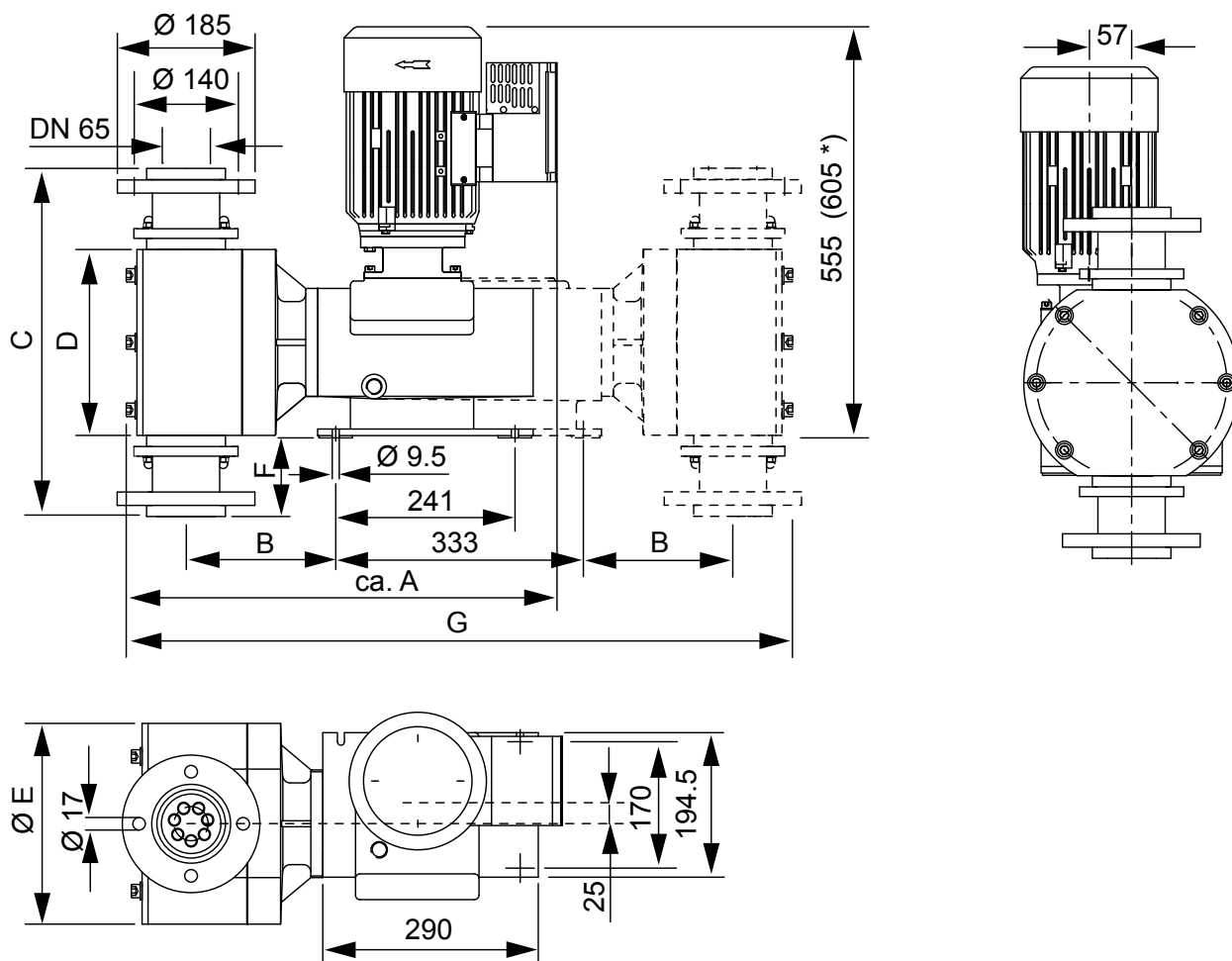


DMX 227

Precise, reliable and economical dosing of large flows

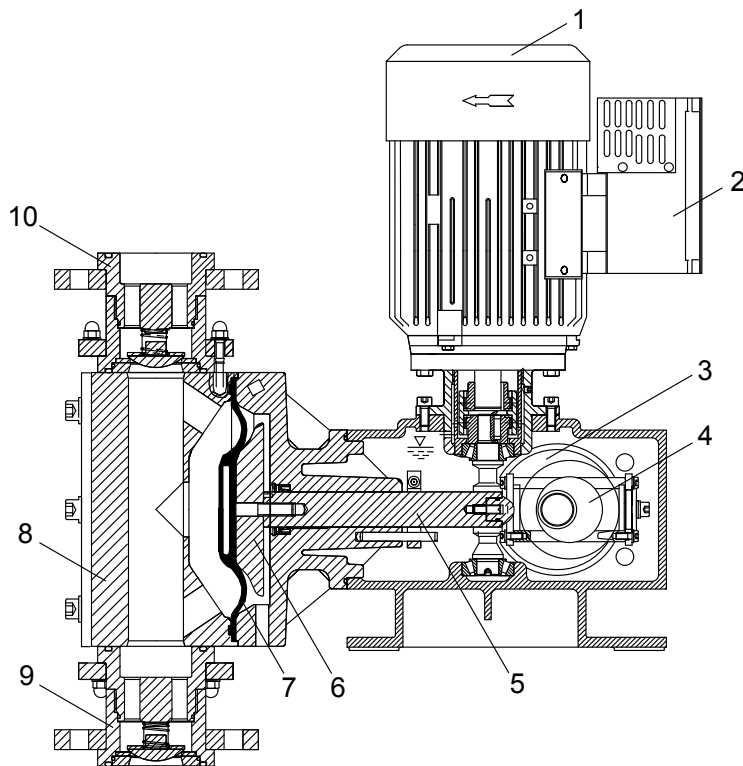


Measurements



DMX model	Measurements in mm						
	A	B	C	D	$\varnothing E$	F	G
227-430	567	185	446	228	270	95	880
227-860	567	185	446	228	270	95	880
227-1120	567	185	446	228	270	95	880
227-770	580	201	468	250	290	106	910
227-1520	580	201	468	250	290	106	910
227-2000	580	201	468	250	290	106	910

Functional description



- 1 Motor
- 2 Frequency converter
- 3 Worm wheel
- 4 Eccentric
- 5 Tappet
- 6 Support disk
- 7 Dosing diaphragm
- 8 Dosing head
- 9 Suction valve
- 10 Pressure valve

Pump types

50 Hz		60 Hz		100 Hz 2)		V _{stroke} [cm ³]	Head size	p _{max} [bar]	Weight [kg]		DMX model	
[l/h] 1)	[n/min]	[l/h] 1)	[n/min]	[l/h] 1)	[n/min]				simplex pump	duplex pump	simplex pump	duplex pump
430	28	516	34	860	56	265	1	5	appr. 50	appr. 90	227-430	227-430/2
770	28	924	34	1540	56	457	2	3	appr. 50	appr. 90	227-770	227-770/2
860	56	1032	67	1720	112	256	1	5	appr. 50	appr. 90	227-860	227-860/2
1120	73	1344	88	2240	146	256	1	5	appr. 50	appr. 90	227-1120	227-1120/2
1520	56	1824	67	3040	112	457	2	3	appr. 50	appr. 90	227-1520	227-1520/2
2000	73	2400	88	4000	146	457	2	3	appr. 50	appr. 90	227-2000	227-2000/2

1) l/h per dosing head, double litre capacity for duplex pumps.

2) operation with frequency converter

Technical data

Accuracy	Dosing flow variation $< \pm 2\%$
Suction height	3 m water column
Materials	Enclosure: aluminium, dosing diaphragm: PTFE/NBR, valve seats: PTFE For dosing head and valves please see the respective table
Motor	For motor details, please see the respective table
Connections	Flange DN 65 with counterflange Flange ANSI 2 1/2"
Option	With diaphragm leakage indication

Motors

Motor	3 AC, 220-240/380-440 V, 50 Hz, 440-480 V, 60 Hz, IP 65/F, PTC resistor
Flameproof motors for simplex and duplex pumps	230/400 V, 50 Hz, IP 65/F, II 2GD EEx de IIC T4 230/400 V, 50 Hz, IP 65/F, II 2GD EEx de IIC T4, PTC resistor
Motor with annexed frequency converter for 100 Hz operation	380-480 V $\pm 10\%$, 50/60 Hz, 1.5 kW or 2.2 kW, 3-phase, IP 65/F, without operating elements
Motor kits for simplex pumps Motor kits for duplex pumps	NEMA 145 TC and IEC BG, size 90 B14-C140 NEMA 145 TC and IEC BG, size 100 B14-C160

Options

Accessories	Order number
Operating panel for integrated frequency converter, plain-text display	326-0014
Integrated stroke sensor, pnp stroke sensor	335-033.1

Opto-electronic diaphragm leakage indication

Optical sensor	Order number
Evaluation electronics 230 V, 50/60 Hz	334-23
Evaluation electronics 115 V, 50/60 Hz	334-22

Dosing head and valve versions

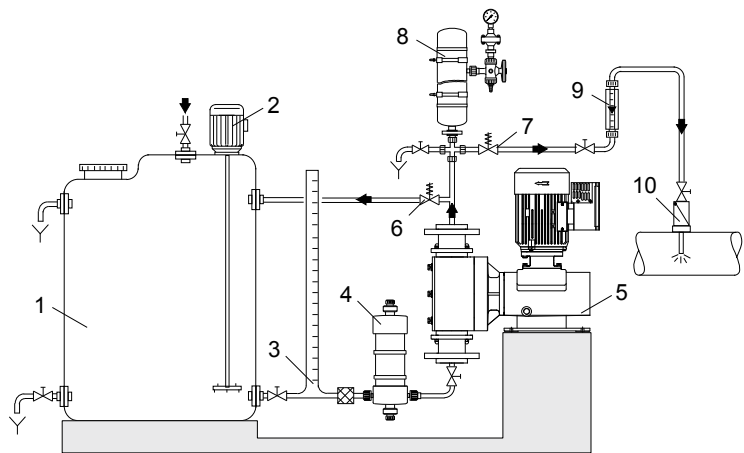
Dosing head	Valve body	Materials		
		Valve seat	Gasket	Valve ball
PP	PP	PTFE	Viton	PP
PVC	PVC	PTFE	Viton	PVC
PVC	PVC	PTFE	EPDM	PVC
Stainless steel	Stainless steel	PTFE	Viton	Stainless steel

Fittings and accessories

(see separate Data Booklet Accessories)

Flow scheme of a complete dosing system

- 1 Dosing tank 502
- 2 Electric agitator 509
- 3 Extraction device 521
- 4 Suction pulsation damper 516
- 5 Dosing pump DMX
- 6 Pressure relief valve 525
- 7 Pressure loading valve 525
- 8 Pulsation damper 517
- 9 Measuring tube
- 10 Injection unit 522



Spare parts sets

- Gaskets for dosing heads
- Inner valve parts
- 1 dosing diaphragm

Head size	PVC/Viton	PVC/EPDM	PP/Viton	Stainless steel/Viton
1	553-1329	553-1329.1	553-1330	553-1331
2	553-1332	553-1332.1	553-1333	553-1334

96735225 03.07	EN
15.820034 V5.0	

Subject to change.